

E

(BNT 5056F -)

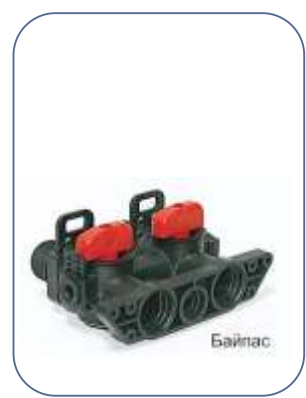
(FLECK), 40 , () ,

(, ,)

1 .



	BNT 5650F
/	1"BSPT NORIL
/	1,0-3,0 1,0-3,0
/	8,4/1,4
/	42/1
,	220
,	50
,	12
,	550



anature BNT 5650

1.

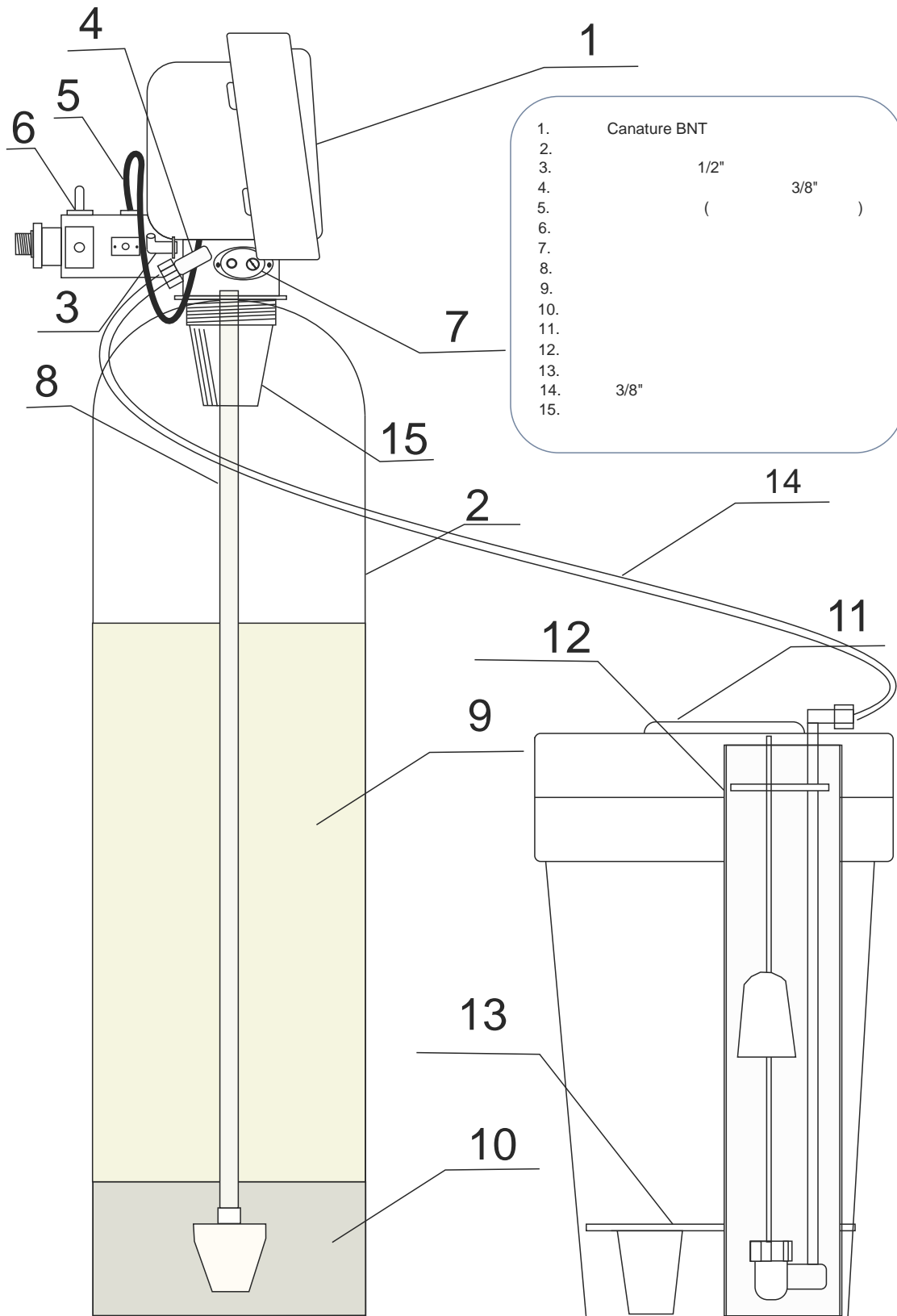


2.

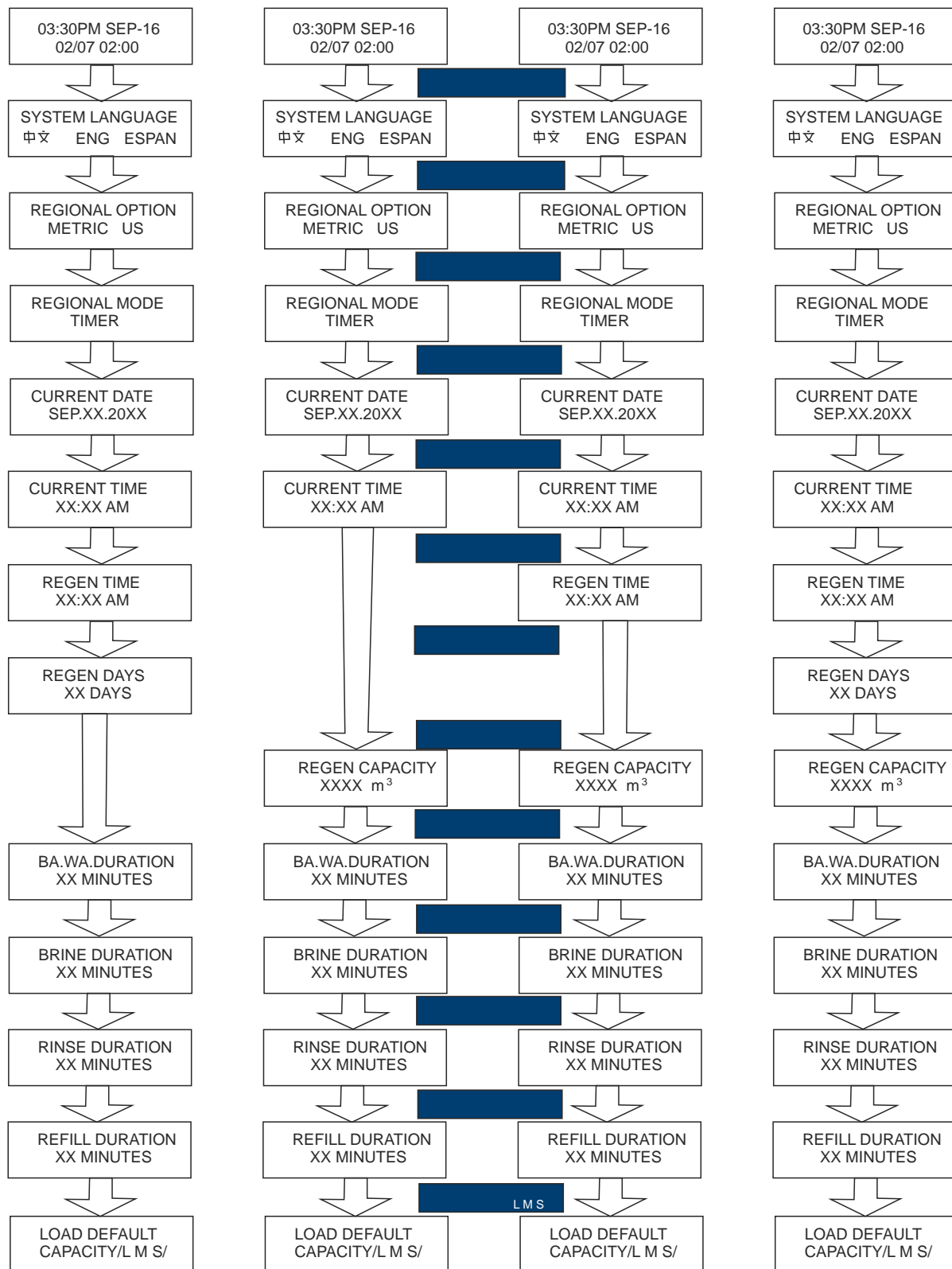
1. "MENU" "MENU" 5
 2. "MENU"
 3. " ^ " " v "
 4. "SET/REGEN" () " ^ " " v "
 5. "SET/REGEN" 3
 6. () "SET/REGEN"
 7. " ^ " " v "
 8. ,
- L - 1252, 1054
M - c . 1044, 0935
S - . 0844, 0835

	0844	1044	1252
BACKWASH DURATION	6	10	15
BRINE DURATION	35	50	60
RINSE DURATION	5	8	10
REFILL DURATION	3	5	7
REGEN DAYS	3	5	8
REGEN CAPACITY	2700	3400	6800

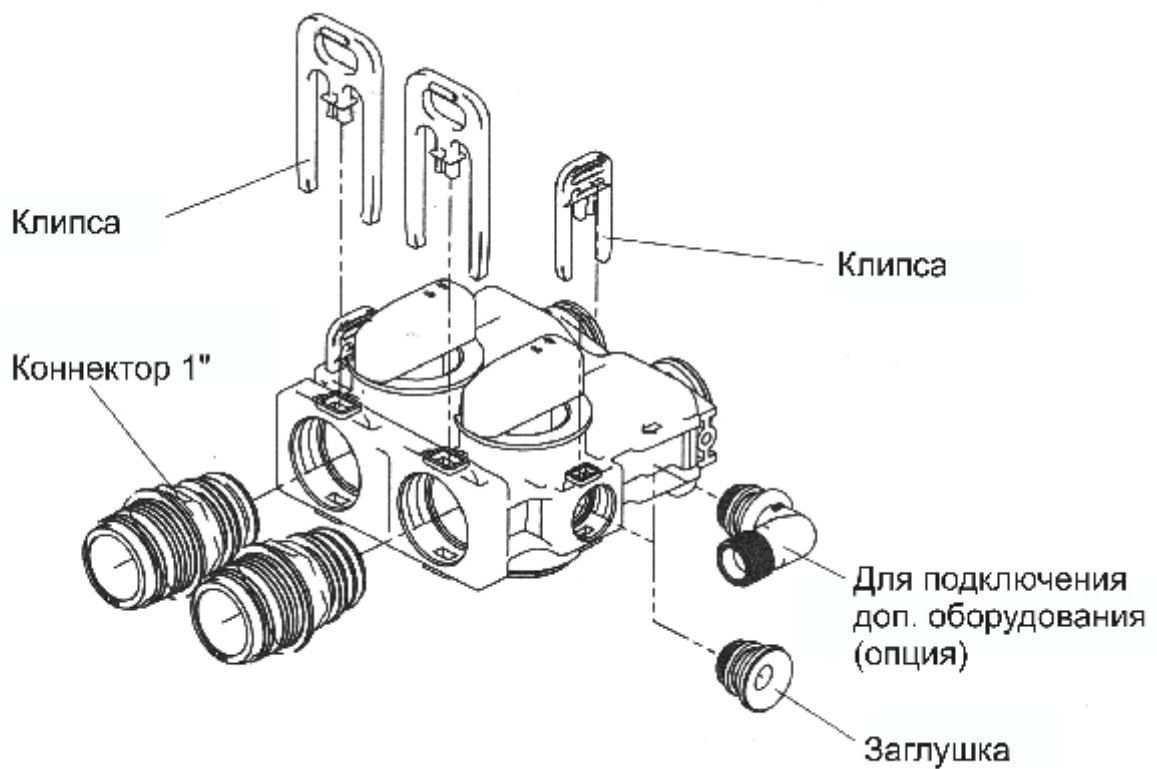
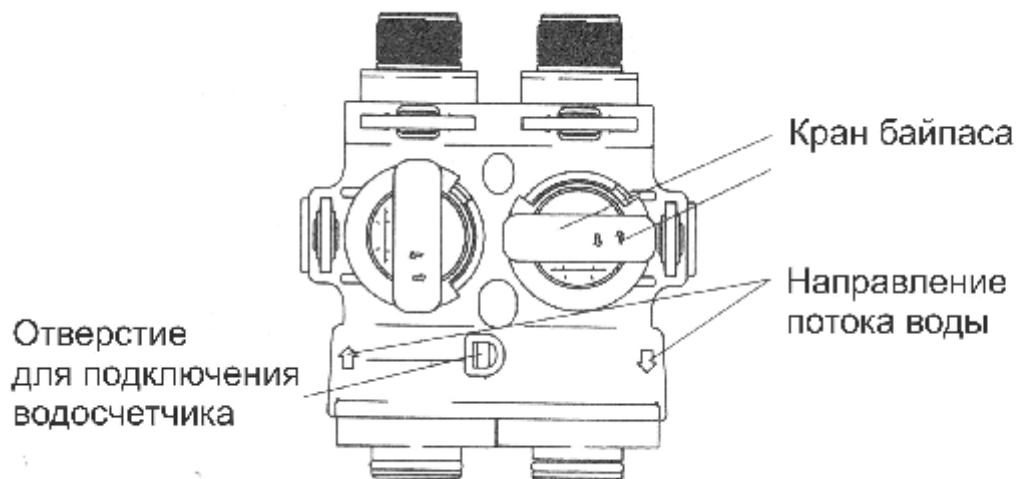
anature BNT 5650



anature BNT 5650



anature BNT 5650



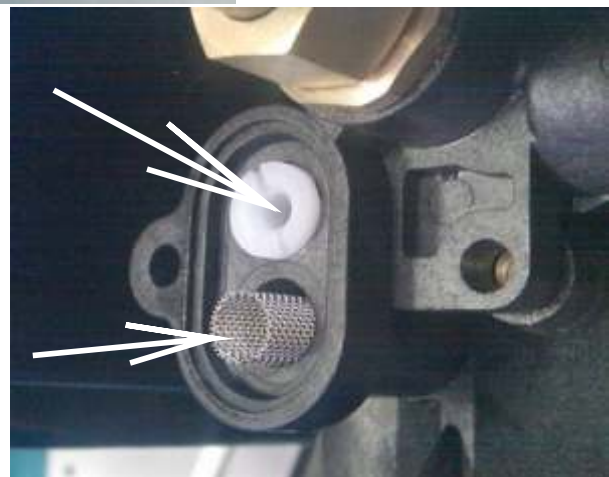
Purple () - 8
 Grey () - 7
 Red () - 9
 White () - 10,12

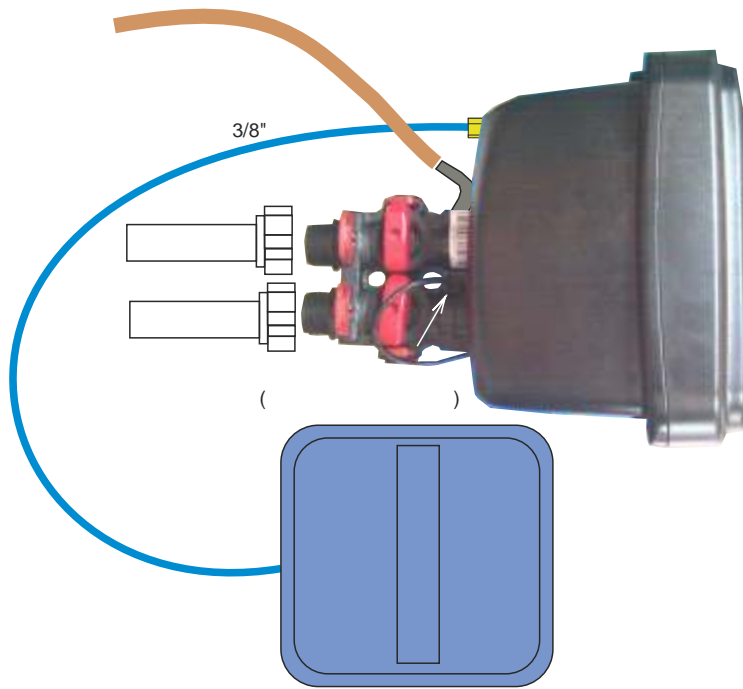


DFLC, 7 :
 #1 – 1.5gpm drain capacity (6-7)
 #2 – 2.0gpm drain capacity (7-8)
 #3 – 2.4gpm drain capacity (8)
 #4 – 3.0gpm drain capacity (8-9)
 #5 – 3.5gpm drain capacity (10-12)
 #6 – 4.0gpm drain capacity (12-13)
 #7 – 5.0gpm drain capacity (13-14)



1054 -1252 ()





1. ()
 2. ()
 3. ()
 4. ()
 5. ()
 6. ()
 7. MENU 3
 8. SET/REGEN 5
 9. 95
 10. 95
- 50
8

$$50 \cdot 1600 / 8 - 15\% = 8\ 500$$